

Specification sheet LX 1857

LORO-X DUOSTREAM
Cascade drainage
for roof terrace

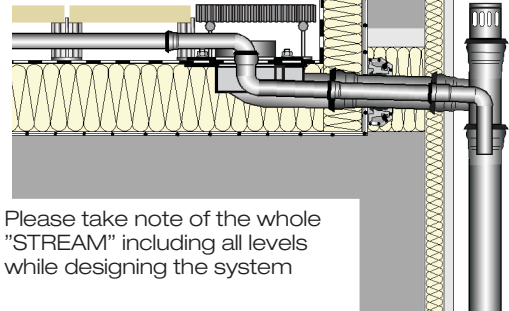
Emergency drainage

Gravity flow

Silent

Discharge rate:	max. 4,55 l/sec
Water height:	75 mm
Roof penetration:	-
Diameter:	DN 100
LX-Number:	LX 1857
Weir height:	40 mm
Drain:	ventilated
Downpipe:	ventilated
Downpipe height:	min. 2,5 m
Drainage:	on floor
Flange:	clamping flange

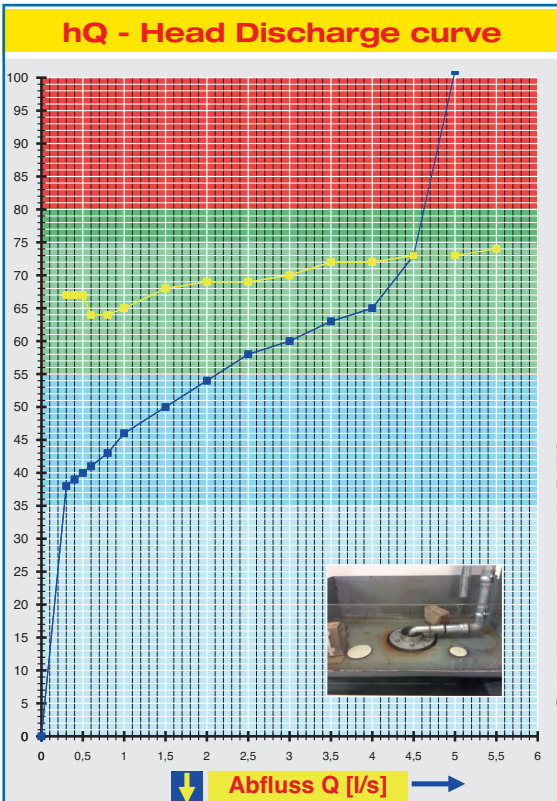
Discharge
of the roof terrace



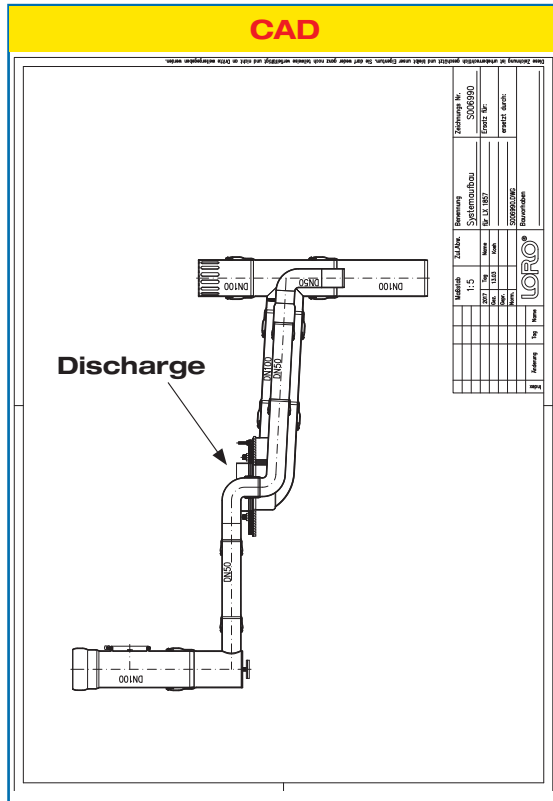
Please take note of the whole "STREAM" including all levels while designing the system

LX 1857 Piece list

- 1 x Art.-No. 13613.100X Cascade drainage multi-storey drain
- 1 x Art.-No. 01401.100X Pipe with one socket
- 1 x Art.-No. 01401.050X Pipe with one socket
- 1 x Art.-No. 13500.100X Cascade drainage roof terrace deflection
- 1 x Art.-No. 13217.100X Ventilation piece for downpipe ventilation
- 1 x Art.-No. 13242.DB0X, Branch with bend for redirecting the overpressure flow
- 1 x Art.-No. 13235.100X Sliding flange
- 4 x Art.-No. 00911.050X Sealing elements
- 2 x Art.-No. 00911.100X Sealing elements
- 1 x Art.-No. 00986.000X Lubricant



Systempower



Systemshape

Water height	mm	10	15	20	25	30	35	40	45	50	55	60	65	70	75	80	85	90	95	100
Discharge	l/sec	-	-	-	-	-	-	0,5	0,9	1,5	2,1	3,0	4,0	4,3	4,55	4,6	4,7	4,8	4,9	5,0

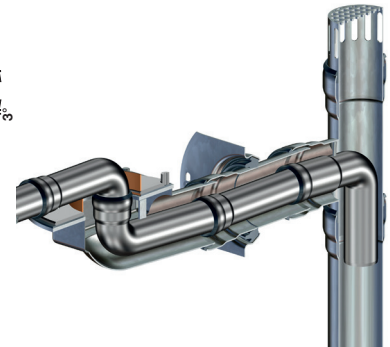
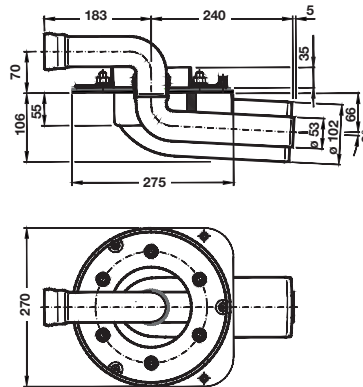
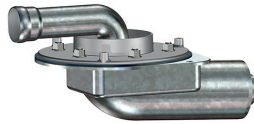
LORO-X DUOSTREAM Cascade drainage for roof and roof terraces

LX1857-4X

Series 88

DUOSTREAM Emergency drainage

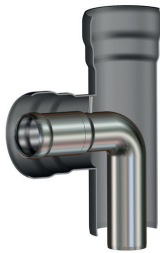
Drainage of the roof terrace (DN 100)
Feed-through of the upper floors (DN 50)
with congestion element
Drain: Art.-No. 13613.100X
Weight: 7,9 kg



LORO-Branch with bend - Pipe in Pipe-

for redirecting the overpressure flow in the following
downpipe, made of galvanized steel

Art.-No. 13500.100X
Weight: 3,1 kg



LORO-X Ventilation piece

for downpipe ventilation,
made of galvanized steel,
DN 100

Art.-No. 13217.100X
Weight: 0,7 kg



LORO-Roof terrace deflection

from downpipe (DN 100)
into offset over roof terrace (DN 50)

Art.-No. 13242.DB0X
Weight: kg



LORO-X Pipe with one socket,

made of galvanized steel
length 250 mm
Art.-No. 01401.050X
Art.-No. 01401.100X



LORO-Sealing elements

Art.-No. 00911.050X
Art.-No. 00911.100X